



ECHO**JAZZ** AG
RINGSTRASSE 25
6010 KRIENS
SWITZERLAND
[WWW.ECHO**JAZZ**.COM](http://WWW.ECHOJAZZ.COM)
+41 41 340 18 80
[INFO@ECHO**JAZZ**.COM](mailto:INFO@ECHOJAZZ.COM)

ECHOTORRENT[®] 24MM DATASHEET

TABLE OF CONTENTS



ECHOTORRENT® 24MM	1
TENDER TEXT	3
DATASHEET ECHOBOARD® 24MM	4
COLOURS ECHOBOARD® 24MM	5
DIMENSIONS & PARTS	6
ECHOTORRENT® 24MM DOT DOUBLE.....	6
INSTALLATION	7
INSTALLING UPPER AND LOWER MOUNTING RAIL	7
ROPE KNOTTING, LANES AND TENSIONING.....	7
HANGING THE ACOUSTIC ABSORBER	7
CLEANING & CARE	8

TENDER TEXT



PRODUCT NAME

EchoTorrent® 24mm

DESCRIPTION

Hanging high-performance acoustic screens, with textile surface made of 100% PET. Incl. suspension system.

The EchoTorrent® acoustic room dividers had been designed for extra high rooms with a ceiling height of up to four meters. The high-performance acoustic absorbers can be positioned in individual heights. The minimalistic design reflects the manufacturer's mission to pursue the idea of dematerialisation and functionality.

PRODUCT PROPERTIES

Thickness EchoBoard® 24mm: 24mm

Weight: 3600g/m² (± 10%)

ACOUSTIC PERFORMANCE

aw: 1.00

NRC: 0.95

INSTALLATION

- Quick installation
- Suitable for use indoors as well as covered outdoor spaces
- Very easy to re-cut with a knife

MATERIAL PROPERTIES

- Extremely robust and shockproof
- Very high colour fastness of the all-round homogeneous textile surface available in over 20 colours
- Flame retardant. B-s1,d0 certified according to EN 13501
- Extremely low volatile organic compounds below < 0.5mg/m²/h, certified according to ASTM D5116
- Formaldehyde emission below < 0.1mg/m²/h, certified according to ASTM D5116
- Dimensionally stable up to 50°C and 95%rH
- Melting point: 250 °C
- Decomposition Temp: > 250 °C
- Alkalinity: pH: 7.8 (pH 7 is neutral)

CLEANING & CARE

Can be cleaned dry and damp with chlorine or hydrogen peroxide.

ENVIRONMENT

- 100% PET with a content of over 50% from recycled PET bottles
- 100% recyclable
- eco-1 rating within eco-bau & Minergie-Eco requirements
- Cradle to Cradle Bronze certified

DISPOSAL

The product is recyclable as part of ECHOJAZZ's stewardship programme.

DATASHEET ECHOBOARD® 24MM



EchoBoard® 24mm is a high quality sound absorber with an aw of up to 1.00 and a NRC of up to 0.95, which can be used for acoustic ceilings, walls, office desks or room dividers.

DESCRIPTION	EchoBoard® 24mm																												
DIMENSIONS	1800mm (± 1mm) x 2400mm (± 1mm)																												
COMPOSITION	100% PET (> 50% recycled PET)																												
PET BOTTLES* PER PANEEL	303 PET Bottles *The number of PET bottles refers to 500ml PET bottles with a bottle weight of 24g.																												
WEIGHT	3600g/m ² (± 10%)																												
MATERIAL THICKNESS	24mm																												
LIGHTFASTNESS ISO 105-B02-1994	> 7																												
FIRE TEST EN 13501	B-s1, d0																												
VOC EMISSIONS ASTM D5116	< 0.5mg/m ² /h																												
FORMALDEHYDE EMISSIONS ASTM D5116	< 0.1mg/m ² /h																												
ENVIRONMENTAL CERTIFICATIONS	eco1 Minergie-Eco Cradle to Cradle Certified® Bronze M1 emission-free materials																												
SOUND ABSORPTION DIN EN ISO 11654 ASTM C423	aw 0.50 (direct mount) aw 0.65 (50mm wall/ceiling distance) aw 1.00 (200mm wall/ceiling distance) NRC = 0.70 (direct mount) NRC = 0.80 (50mm wall/ceiling distance) NRC = 0.95 (200mm wall/ceiling distance)																												
COLOURS	> 20																												
SOUND ABSORPTION GRAPH	<p>The graph plots the Sound Absorption Coefficient (Y-axis, 0.00 to 1.20) against Frequency in Hertz (X-axis, 125 to 4000 Hz). Three data series are shown: a green line for direct mount, a yellow line for 50mm distance, and a blue line for 200mm distance. All series show an overall upward trend with frequency, with the 200mm distance configuration consistently showing the highest absorption across most frequencies.</p> <table border="1"> <caption>Approximate data points from the Sound Absorption Graph</caption> <thead> <tr> <th>Frequency (Hz)</th> <th>Direct Mount (Green)</th> <th>50mm Distance (Yellow)</th> <th>200mm Distance (Blue)</th> </tr> </thead> <tbody> <tr> <td>125</td> <td>0.02</td> <td>0.15</td> <td>0.52</td> </tr> <tr> <td>250</td> <td>0.18</td> <td>0.35</td> <td>0.85</td> </tr> <tr> <td>500</td> <td>0.65</td> <td>0.85</td> <td>1.05</td> </tr> <tr> <td>1000</td> <td>0.95</td> <td>1.05</td> <td>0.88</td> </tr> <tr> <td>2000</td> <td>1.05</td> <td>0.98</td> <td>0.95</td> </tr> <tr> <td>4000</td> <td>1.08</td> <td>0.98</td> <td>0.98</td> </tr> </tbody> </table>	Frequency (Hz)	Direct Mount (Green)	50mm Distance (Yellow)	200mm Distance (Blue)	125	0.02	0.15	0.52	250	0.18	0.35	0.85	500	0.65	0.85	1.05	1000	0.95	1.05	0.88	2000	1.05	0.98	0.95	4000	1.08	0.98	0.98
Frequency (Hz)	Direct Mount (Green)	50mm Distance (Yellow)	200mm Distance (Blue)																										
125	0.02	0.15	0.52																										
250	0.18	0.35	0.85																										
500	0.65	0.85	1.05																										
1000	0.95	1.05	0.88																										
2000	1.05	0.98	0.95																										
4000	1.08	0.98	0.98																										

COLOURS ECHOBOARD® 24MM



ECHOBOARD® 24MM



*Discontinued. Colour available from stock while supplies last or on request with a minimum order quantity.



DIMENSIONS & PARTS



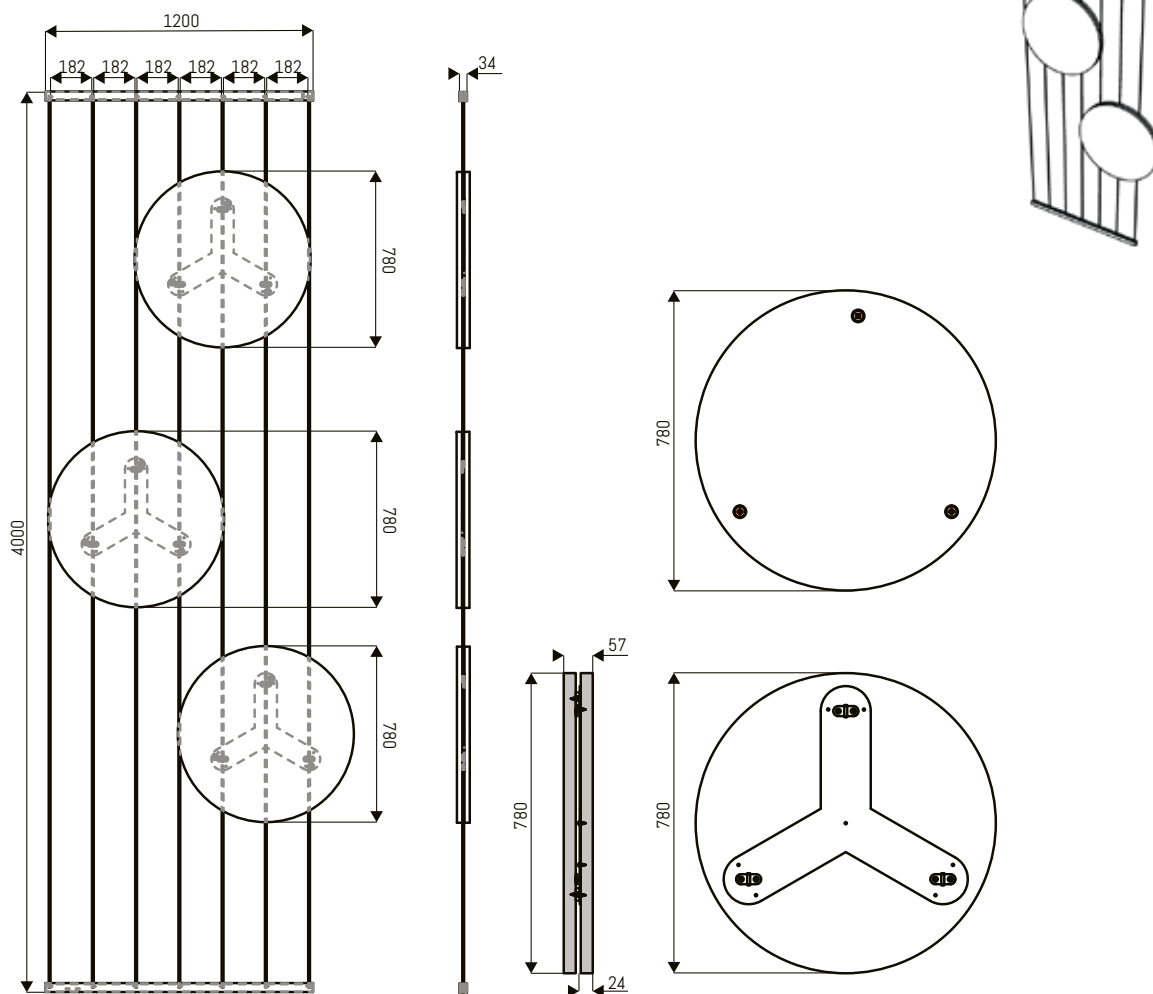
ECHOTORRENT® 24MM DOT DOUBLE

1652

Acoustic absorber: Ø780x24mm

Frame: 1200x34x4000mm

6 hanging acoustic screens



PARTS



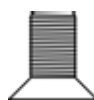
3x
EchoBoard® 24mm
+ Y-Holding plate



1x
Rope
Ø6mm



9x
Holding plate rope
50x20x3mm



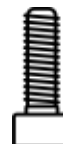
18x
Screw holding plate
Torx M5x10



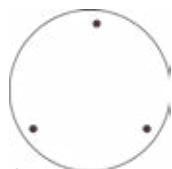
1x
Top mounting rail
1200x40x34mm



1x
Bottom mounting rail
1200x40x34mm



2x
Screw frame
Hexagon socket M8x20



3x
EchoBoard® 24mm
+ Pot magnets



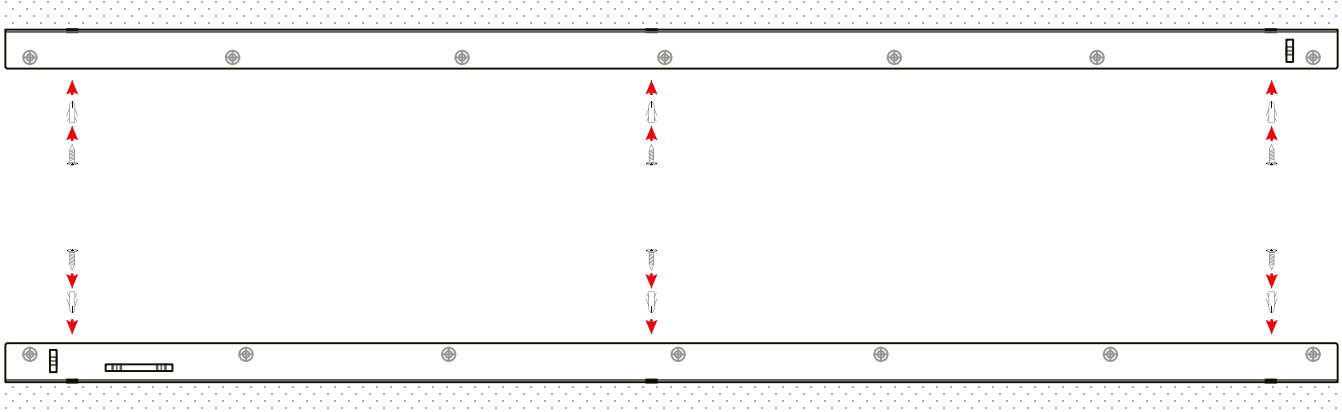
1x
Rope locking plate
60x20x6mm

INSTALLATION



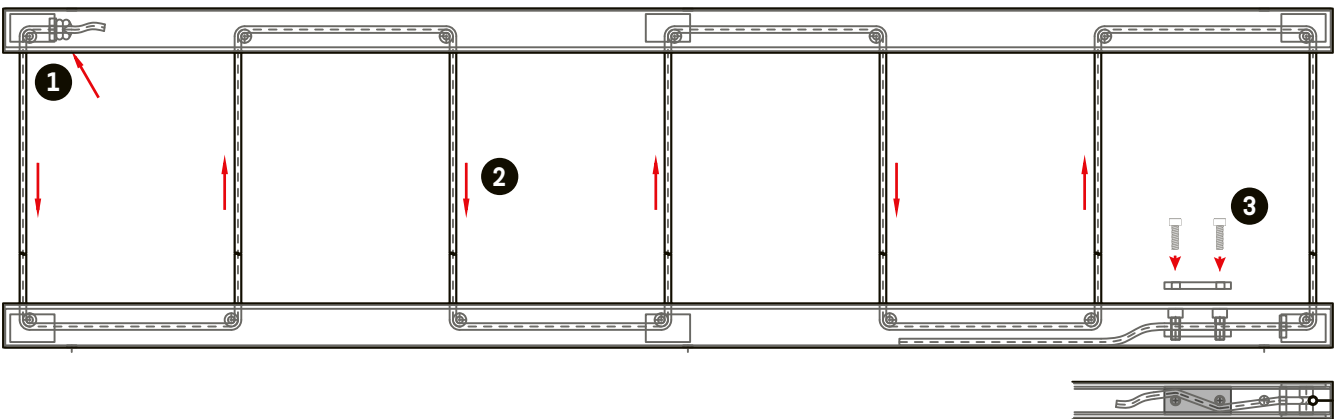
INSTALLING UPPER AND LOWER MOUNTING RAIL

In the first step, the upper and lower mounting rails are fixed to the ceiling and floor with screws and dowels.



ROPE KNOTTING, LANES AND TENSIONING

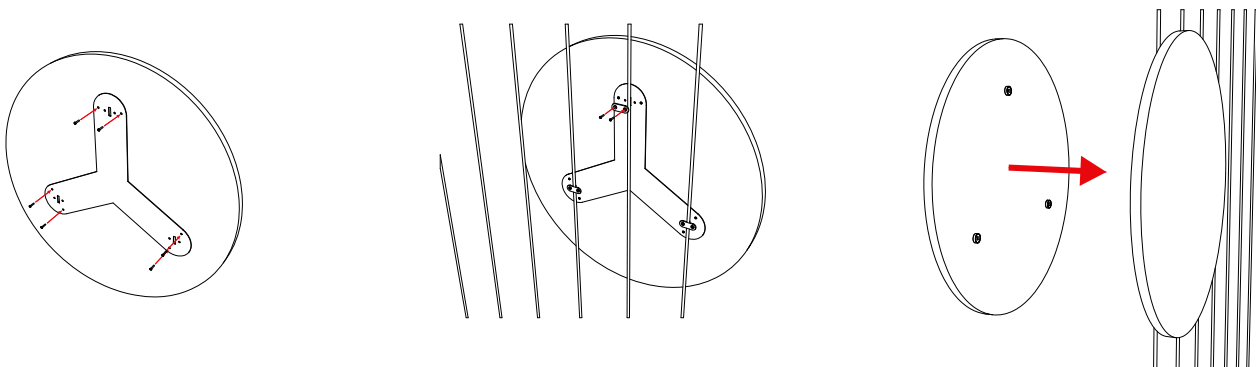
First of all thread the rope with a knot on the upper mounting rail. Then wind the rope back and forth between both mounting rails. Finally, tension and secure the rope to the lower mounting rail with two cylinder head screws.



HANGING THE ACOUSTIC ABSORBER

Screw the acoustic absorbers connected to the holding plate to the rope at any position from one side using the mounting plates.

For the product EchoTorrent® DOT DOUBLE attach the absorber elements with magnets to a to the mounting plate from the opposite side.



CLEANING & CARE

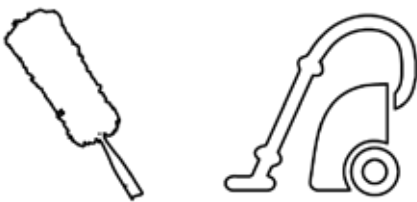
SURFACE DISINFECTION

Spray disinfectants can be used for rapid surface disinfection.



DUSTER/VACUUM CLEANER

For dusting use duster or vacuum cleaner.



SPARKLING WATER

For slight contamination apply sparkling water to polluted area. Wipe carefully with a sponge.



UPHOLSTERY CLEANER

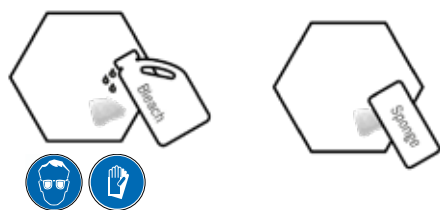
For medium contamination apply upholstery cleaner to polluted area. Wipe carefully with a sponge.



BLEACH

For heavy contamination apply bleach as chlorine or hydrogen peroxide on polluted area. Wipe carefully with a sponge and sparkling water.

Use of protection gloves and glasses is mandatory!



Please make first a cleaning attempt on an inconspicuous spot. Follow the instructions of the cleaning agents.